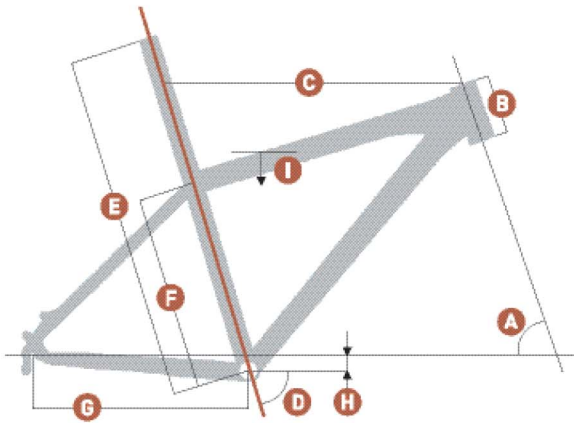
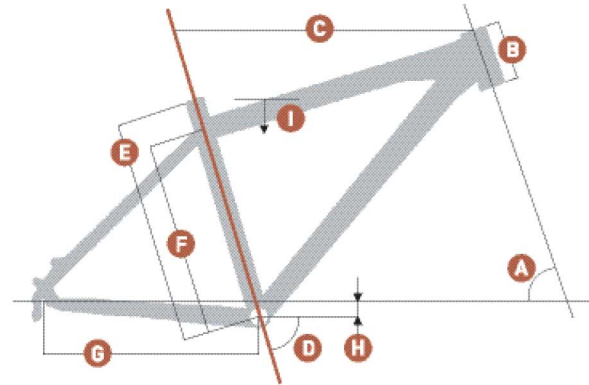


GEOMETRYSCALE



integrated seatpost



standard seatpost

| Size | A | B | C | D | E | F | G | H | I | | |
|------|------------|------------------|-------------------------------|------------|-------------------------------|------------------------------|------------------|-----------|------------------|-------------|------------------|
| | Head angle | Head tube length | Effective top tube horizontal | Seat angle | BB center to top of seat tube | BB center to top tube center | Chainstay length | BB offset | Standover height | Stem length | Crank-arm length |
| | ° | mm inches | mm inches | ° | mm inches | mm inches | mm inches | mm inches | mm inches | mm | mm |

SCALE CARBON (LIMITED and RC - integrated seatpost)

| | | | | | | | | | | | |
|----|-------|---------|----------|-------|----------|----------|----------|----------|----------|-----|-----|
| S | 70.5° | 105 4.1 | 555 21.9 | 73.5° | 680 26.8 | 328 12.9 | 420 16.5 | -30 -1.2 | 710 28.0 | 100 | 170 |
| M | 71.0° | 115 4.5 | 580 22.8 | 73.5° | 730 28.7 | 378 14.9 | 420 16.5 | -30 -1.2 | 745 29.3 | 110 | 175 |
| L | 71.0° | 130 5.1 | 600 23.6 | 73.0° | 780 30.7 | 418 16.5 | 420 16.5 | -30 -1.2 | 775 30.5 | 120 | 175 |
| XL | 71.5° | 150 5.9 | 620 24.4 | 73.0° | 830 32.7 | 468 18.4 | 420 16.5 | -30 -1.2 | 815 32.1 | 120 | 175 |

SCALE CARBON and ALLOY (standard seatpost)

| | | | | | | | | | | | |
|-----|-------|---------|----------|-------|----------|----------|----------|----------|----------|-----|-----|
| XS | 70.2° | 100 3.9 | 540 21.3 | 73.5° | 350 13.8 | 288 11.3 | 420 16.5 | -30 -1.2 | 680 26.8 | 90 | 170 |
| S | 70.5° | 105 4.1 | 555 21.9 | 73.5° | 390 15.4 | 328 12.9 | 420 16.5 | -30 -1.2 | 710 28.0 | 100 | 170 |
| M | 71.0° | 115 4.5 | 580 22.8 | 73.5° | 440 17.3 | 378 14.9 | 420 16.5 | -30 -1.2 | 745 29.3 | 110 | 175 |
| L | 71.0° | 130 5.1 | 600 23.6 | 73.0° | 480 18.9 | 418 16.5 | 420 16.5 | -30 -1.2 | 775 30.5 | 120 | 175 |
| XL | 71.5° | 150 5.9 | 620 24.4 | 73.0° | 530 20.9 | 468 18.4 | 420 16.5 | -30 -1.2 | 815 32.1 | 120 | 175 |
| XXL | 71.5° | 160 6.3 | 640 25.2 | 73.0° | 580 22.8 | 518 20.4 | 420 16.5 | -30 -1.2 | 845 33.3 | 120 | 175 |